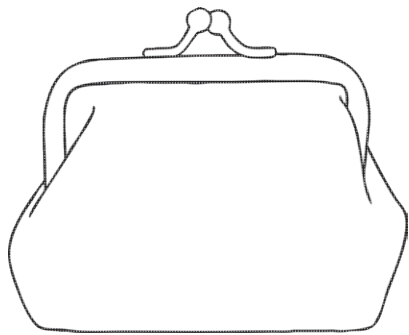


Phase 5 Early Reading

Comprehension Activity 2

Read the sentence. Add the information to the picture.

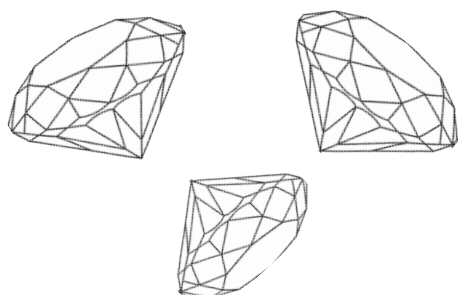
I had a penny and a pound in my purse.



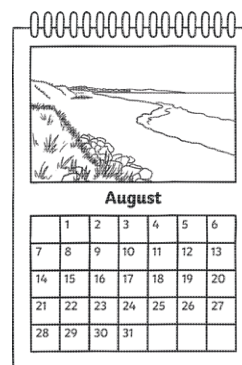
I saw a pyramid in Egypt.



The crystals were pink, blue and yellow.

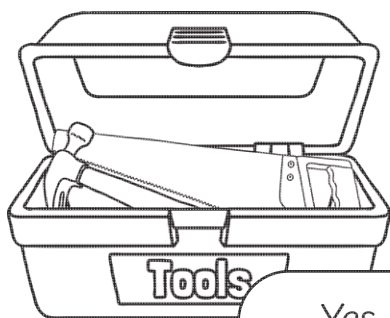


It is sunny in August.



Read the sentence. Circle yes or no.

Andrew has screws in his toolbox.



Nine sheep were in a field.

